



VHV200

PFA Lined Butterfly Valves



VHV®

CHINA VIHUNG VALVE CO., LTD.

Address: Dongou Industrial Park, Oubei, Yongjia, Wenzhou, Zhejiang, China. 325100

Tel: 86-577-67989865

Fax: 86-577-66987733

E-Mail: vihung@vihung.com

www.vihung.com

VHV®

VIHUNG VALVE

PFA Lined Butterfly Valves

PFA lined butterfly valves engineered for bidirectional zero leakage shutoff in demanding corrosive and ultra pure industrial applications.

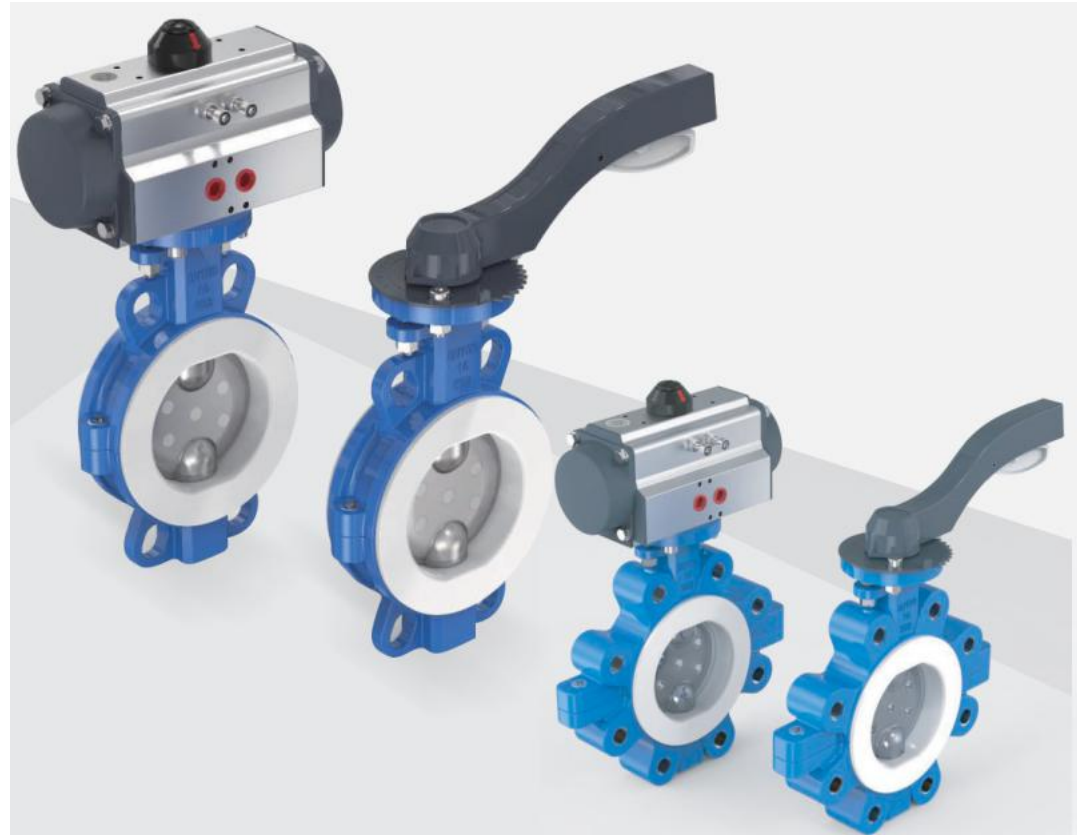
SIO PFA lined butterfly valves offer unsurpassed resistance to corrosion, permeation and microbial contamination for maximum purity and reliability with minimal maintenance. Engineered for bidirectional zero leakage shutoff, SIO fully PFA lined valves are the high performance solution for critical applications.

Specifications

Size Range	1 1/2" to 20" (40 to 500mm)
Pressure Ratings	Up to 150psi (10bar)
Vacuum Rating	To 0.0002 psia (1.03 x 10 ⁻² torr)
Temperature Body	-20°F to 320°F (-29°C to 160°C)
Style	Two-piece, Wafer, Lug
Face-to-face	ANSI B 16.34 ISO 5752, API 609
Top Plate	ISO 5211
FE Standard	ISO 15848-1, ISO 15848-2
Drilling	ASME B16.5 CL150, DIN PN16, JIS 10K

Feature

- Fully PFA lined disc and body provide unsurpassed resistance to corrosion, permeation and microbial contamination for maximum purity and reliability with minimum maintenance.
- Durable, spherically molded PFA liner and matching disc interface to form a tight bidirectional seal.
- Full width 360° energized backup liner provides uniform sealing.
- Adjustable live-loaded, stem sealing system to eliminate leak paths and reduce fugitive emissions for long-term, maintenance-free operation.
- PFA disc over-molding is mechanically bonded to the base metal for full vacuum capability.
- Streamlined disc engineered for maximum flow.
- High-strength one-piece disc and stem standard for improved reliability.
- ISO 5211 top mounting plate for easy actuation.

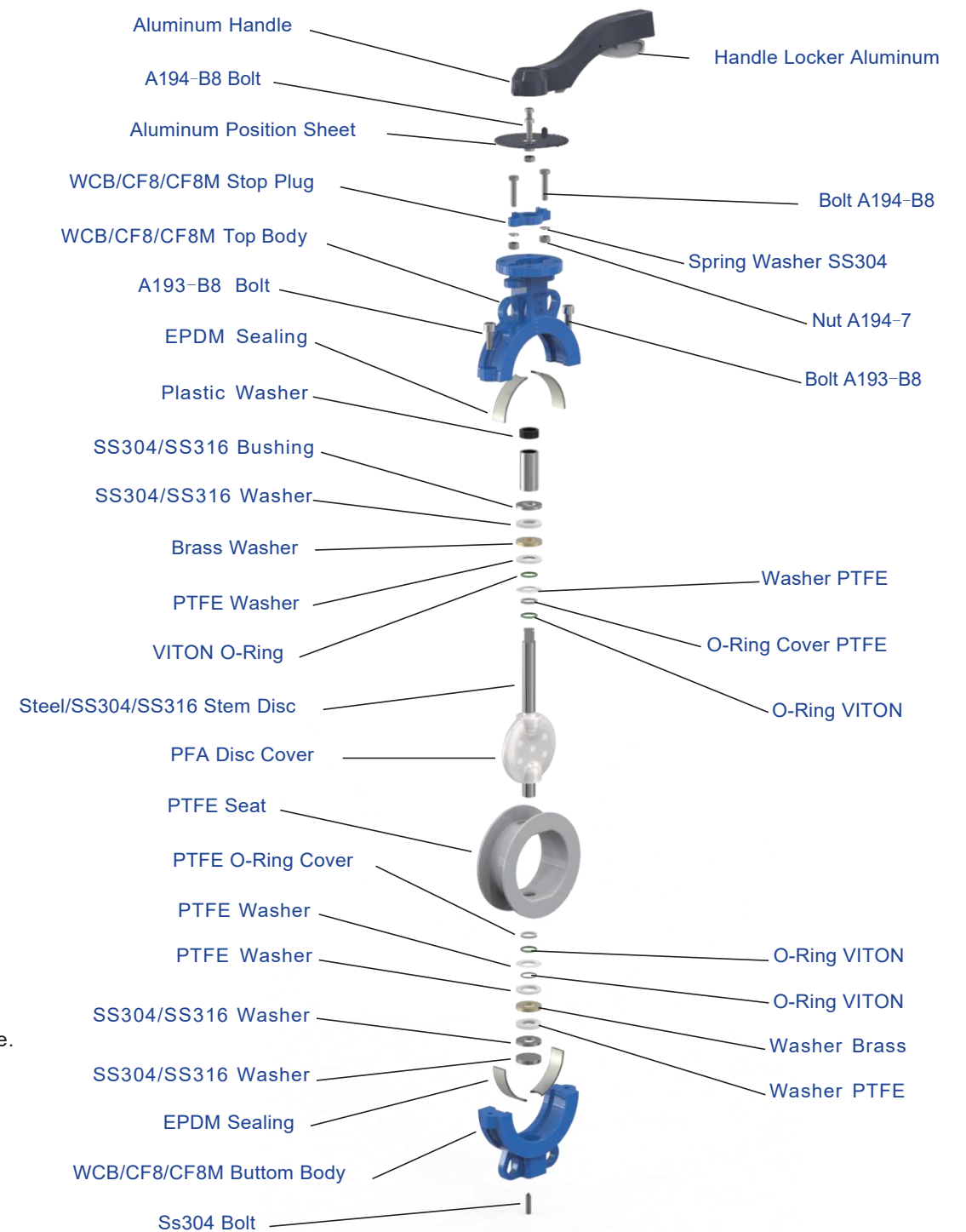


High Performance PFA Lining

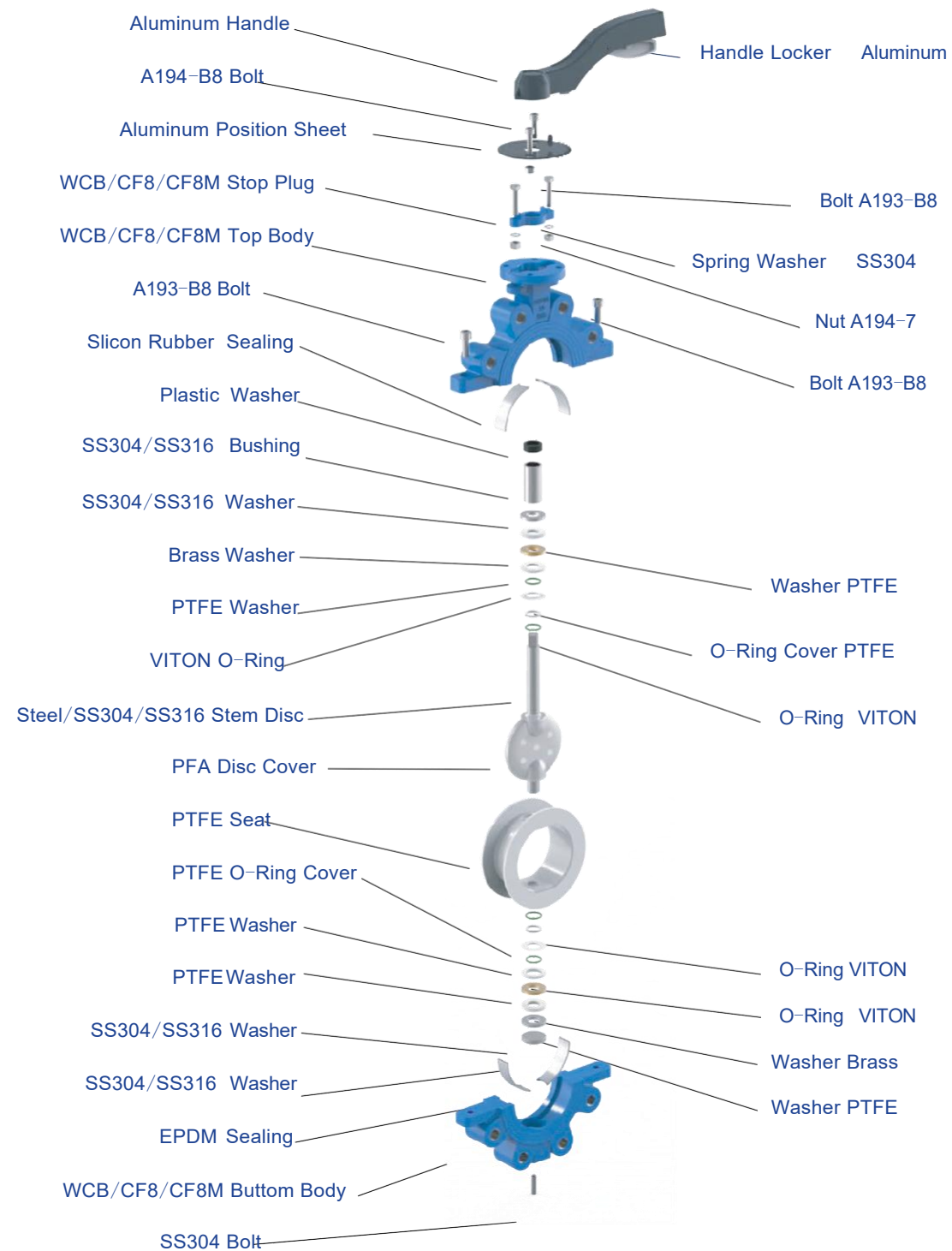
- Melt processable for precise molding of parts with smoother surface finishes than PTFE liners.
- Superior flexibility to withstand repeated flexing and dynamic loads for extended service life.
- Higher resistance to permeation for increased durability with lower total cost of ownership.
- Lower particle shedding for maximum purity.
- Superior creep resistance at high temperatures.
- Increased resistance to microbial contamination.
- Also known by the trade name Teflon®.

PFA Lined Butterfly Valve Applications

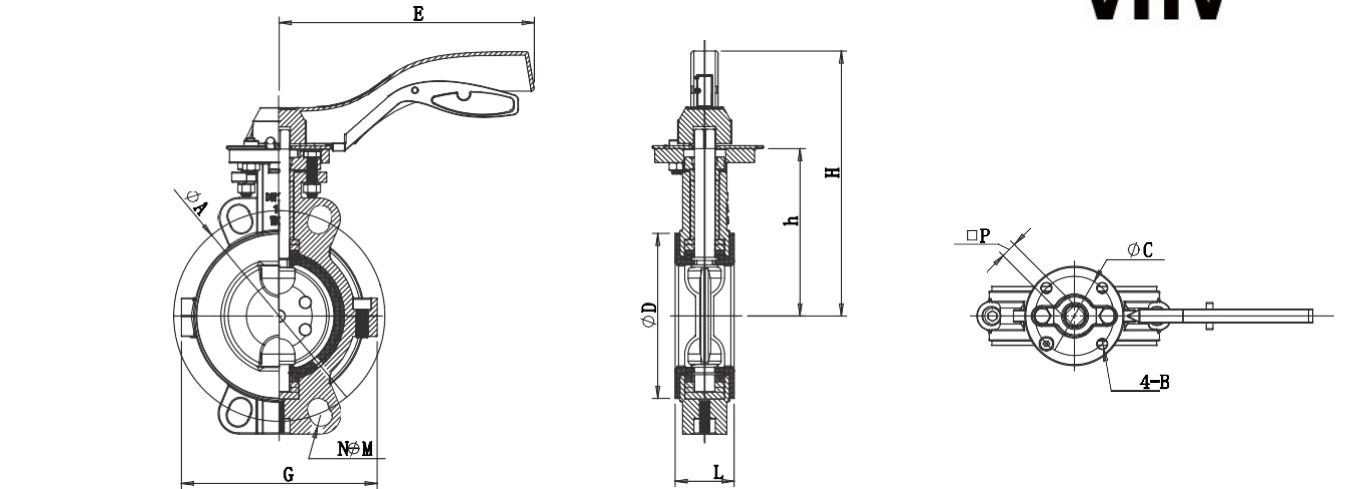
- Ultra Pure Water
- Semiconductors
- Chemical/Petro-Chemical
- Chlor-Alkali
- Phosphatic Fertilizer
- Clean Liquids and Gases
- Corrosive Liquids and Gases
- Hazardous Liquids and Gases
- Viscous Liquids
- Vacuum Service
- Strong Oxidizing Agents
- Organic Solvents



Size	Steel	Stainless Steel		Low Carbon Stainless Steel	
Body	WCB	Cf8	CF8M	Cf3	CF3M
Stem Disc	35(Forged)	Cf8	CF8M	Cf3	CF3M
Seat Lined	PTFE/PFA/FEP				
O-Ring	Viton				
Sealing	Silicon Rubber				
Bolt	35	1Cr17Ni2	1Cr17Ni2	1Cr18Ni9Ti	1Cr18Ni9Ti
Nut	45	0Cr18Ni9	0Cr18Ni9	0Cr18Ni9	0Cr18Ni9
Handle	1-1/2"~6":Aluminum 8"~20":Gear Box				

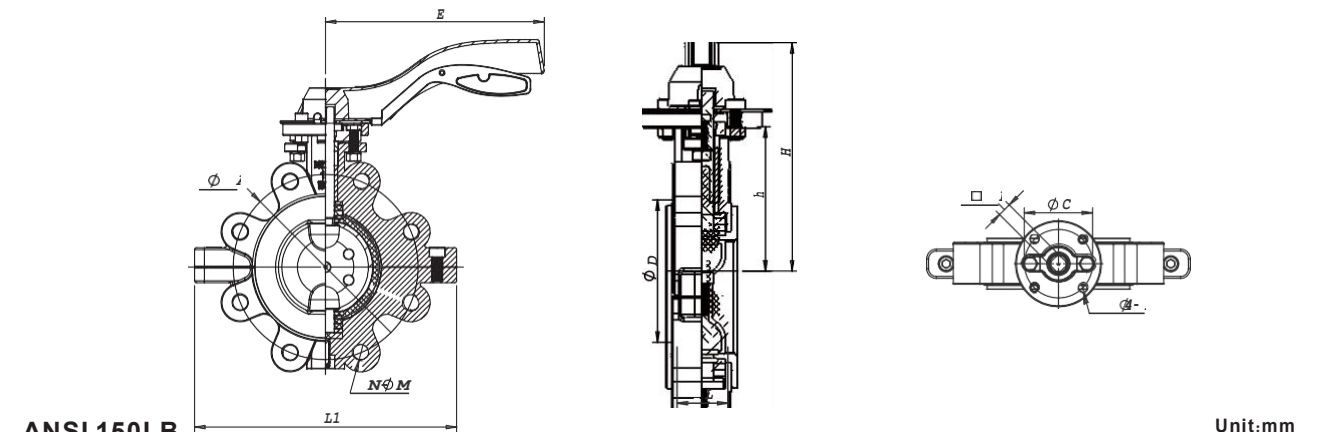


Size	Steel	Stainless Steel		Low Carbon Stainless Steel	
Body	WCB	CF8	CF8M	CF3	CF3M
Stem Disc	35(Forged)	CF8	CF8M	CF3	CF3M
Seat Lined		PTFE/PFA/FEP			
O-Ring		Viton			
Sealing		Silicon Rubber			
Bolt	35	1Cr17Ni2	1Cr17Ni2	1Cr18Ni9Ti	1Cr18Ni9Ti
Nut	45	0Cr18Ni9	0Cr18Ni9	0Cr18Ni9	0Cr18Ni9
Handle		1-1/2"-6":Aluminum 8"-20":Gear Box			



ANSI 150LB Unit:mm

Size	DN	L	D	h	H	A	N	M	E	B	C	P
1-1/2"	40	33	80	110	180	98.5	4	19	70	7	50	11
2"	50	43	90	110	180	120.5	4	19	70	7	50	11
2-1/2"	65	46	110	125	195	139.5	4	19	70	7	50	11
3"	80	46	125	132	212	152.5	4	19	80	9	70	14
4"	100	52	145	151	231	190.5	8	19	80	9	70	14
5"	125	56	175	170	260	216	8	22	105	11	70	17
6"	150	56	200	188	278	241.5	8	22	105	11	102	17
8"	200	60	255	235	475	298.5	8	22	Gear Box	13	102	22
10"	250	68	310	280	520	362	12	25	Gear Box	13	125	22
12"	300	78	362	300	540	432	12	25	Gear Box	17	125/140	22
14"	350	78	412	-	-	476	12	29	Gear Box	17	140/165	27
16"	400	102	462	-	-	540	16	29	Gear Box	21	165	27
18"	450	114	518	-	-	578	16	32	Gear Box	21	165	36
20"	500	127	568	-	-	635	20	32	Gear Box	21	165	36



ANSI 150LB Unit:mm

Size	DN	L	D	h	H	A	N	M	E	B	C	P
1-1/2"	40	33	80	110	180	98.5	4	19	70	7	50	11
2"	50	43	90	110	180	120.5	4	19	70	7	50	11
2-1/2"	65	46	110	125	195	139.5	4	19	70	7	50	11
3"	80	46	125	132	212	152.5	4	19	80	9	70	14
4"	100	52	145	151	231	190.5	8	19	80	9	70	14
5"	125	56	175	170	260	216	8	22	105	11	70	17
6"	150	56	200	188	278	241.5	8	22	105	11	102	17
8"	200	60	255	235	475	298.5	8	22	Gear Box	13	102	22
10"	250	68	310	280	520	362	12	25	Gear Box	13	125	22
12"	300	78	362	300	540	432	12	25	Gear Box	17	125/140	22
14"	350	78	412	-	-	476	12	29	Gear Box	17	140/165	27
16"	400	102	462	-	-	540	16	29	Gear Box	21	165	27
18"	450	114	518	-	-	578	16	32	Gear Box	21	165	36
20"	500	127	568	-	-	635	20	32	Gear Box	21	165	36